



ZHEJIANG UNIÜ-NE Technology CO., LTD

浙江宇力微新能源科技有限公司



78S12M Data Sheet

V 1.1

版权归浙江宇力微新能源科技有限公司

Positive voltage regulators

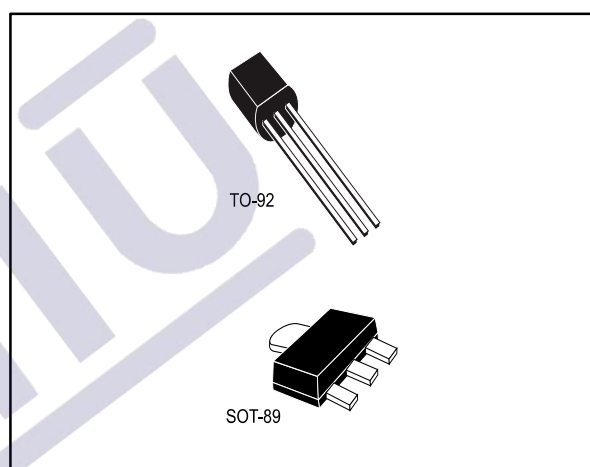
Description

The 78S12M series of three terminal positive regulators employ internal current limiting and thermal shutdown, making them essentially indestructible. If adequate heat-sink is provided, they can deliver up to 120 mA output current.

They are intended as fixed voltage regulators in a wide range of applications including local or on-card regulation for elimination of noise and distribution problems associated with single-point regulation. In addition, they can be used with power pass elements to make high-current voltage regulators. The 78S12M series used as Zener diode/resistor combination replacement, offers improvement along with lower quiescent current and lower noise.

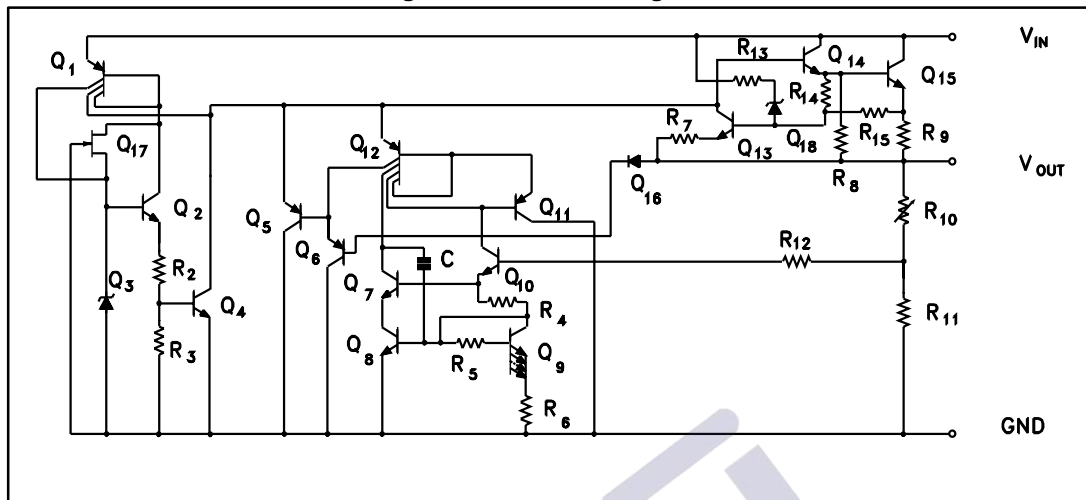
Features

- Output current up to 120 mA
- Output voltages of 12V thermal overload protection
- Internal Short Circuit Current Limiting
- No external components are required
- Available in $\pm 2\%$



Diagram

Figure 1: Schematic diagram



Pin configuration

Figure 2: Pin connection (top view, bottom view for TO-92)

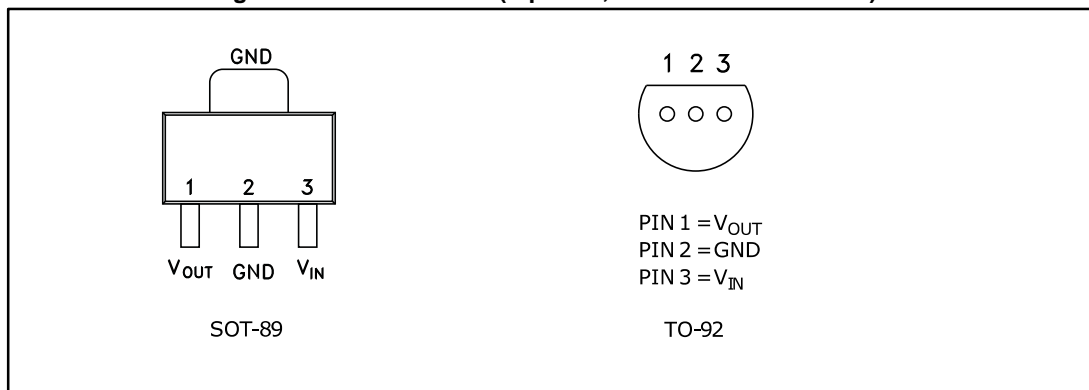
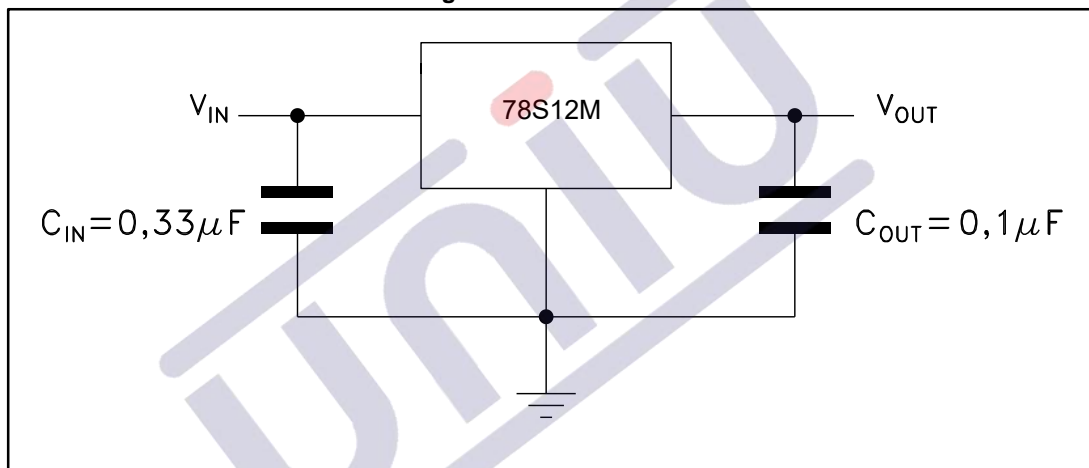
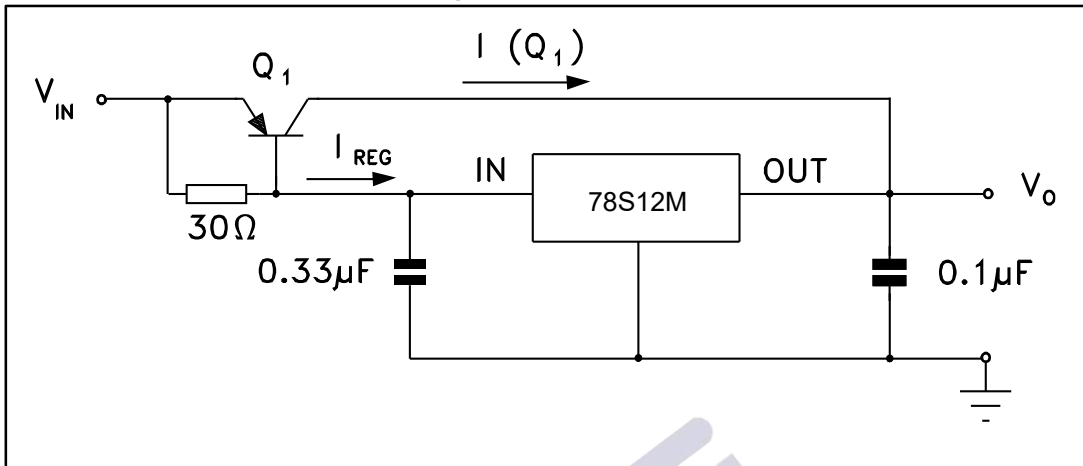


Figure 3: Test circuits

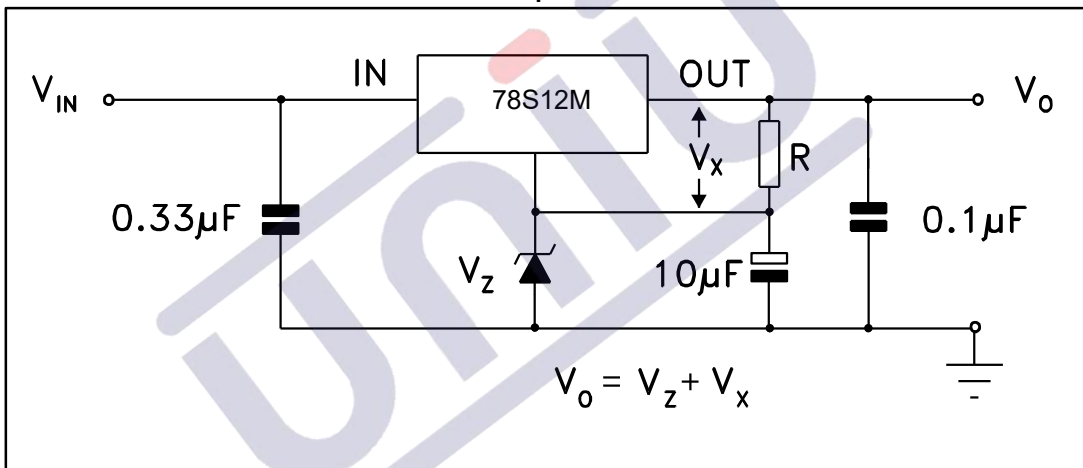


Typical application

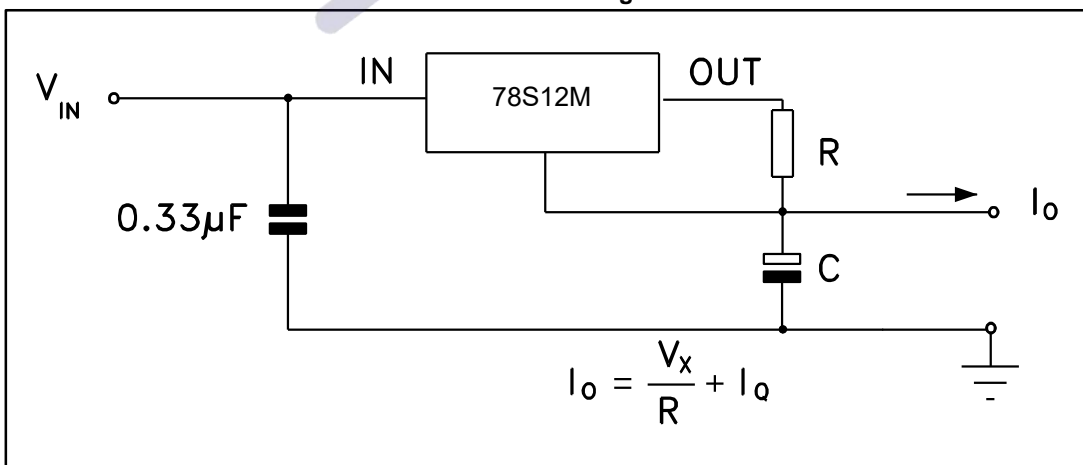
High output current short-circuit protected



Output boost circuit



Current regulator



1.版本记录

DATE	REV.	DESCRIPTION
2018/04/19	1.0	First Release
2021/11/10	1.1	Layout adjustment

2.免责声明

浙江宇力微新能源科技有限公司保留对本文档的更改和解释权力，不另行通知！客户在下单前应获取我司最新版本资料，并验证相关信息是否最新和完整。量产方案需使用方自行验证并自担所有批量风险责任。未经我司授权，该文件不得私自复制和修改。产品不断提升，以追求高品质、稳定性强、可靠性高、环保、节能、高效为目标，我司将竭诚为客户提供性价比高的系统开发方案、技术支持等更优秀的服务。

版权所有 浙江宇力微新能源科技有限公司/绍兴宇力半导体有限公司

3.联系我们

浙江宇力微新能源科技有限公司

总部地址：绍兴市越城区斗门街道袍渚路25号中节能科创园45幢4/5楼

电话：0575-85087896（研发部）

传真：0575-88125157

E-mail: htw@uni-semic.com

无锡地址：无锡市锡山区先锋中路6号中国电子（无锡）数字芯城1#综合楼503室

电话：0510-85297939

E-mail: zh@uni-semic.com

深圳地址：深圳市宝安区西乡街道南昌社区宝源路泳辉国际商务大厦410

电话：0755-84510976

E-mail: htw@uni-semic.com